

## Center Pins FSB / SB

for face drivers FSB / SB with movable center pin

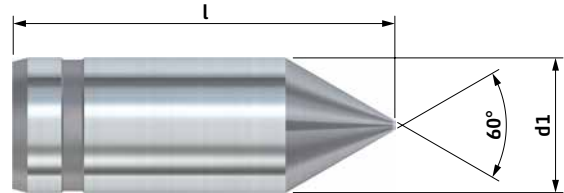
### Type FSB / SB · center pin



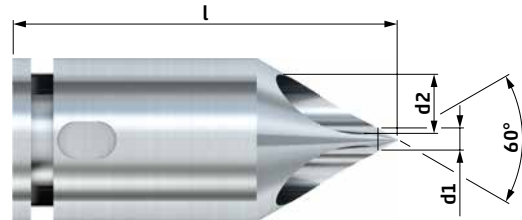
center body type FSB / SB 01 / 0



### Technical data - type FSB / SB · center pin



center body type FSB / SB 01 / 0



for type FSB / SB	d1	center Ø	d2	l	cat. no.
<b>01</b>	5	0 - 5	6	52	<b>735 101</b>
<b>0</b>	3	0 - 3	8	52	<b>735 01</b>
<b>11</b>	6	0 - 6	-	53	<b>735 11</b>
<b>1</b>	8	0 - 8	-	53	<b>735 02</b>
<b>2</b>	14	2 - 14	-	47	<b>735 03</b>
<b>3</b>	18	2 - 18	-	51	<b>735 04</b>
<b>35</b>	14	2 - 14	-	47	<b>735 09</b>
<b>4</b>	24	3 - 24	-	70	<b>735 05</b>
<b>45</b>	28	3 - 28	-	74	<b>735 10</b>
<b>5</b>	35	6 - 35	-	96	<b>735 06</b>
<b>55</b>	35	6 - 35	-	96	<b>735 08</b>
<b>6</b>	35	6 - 35	-	96	<b>735 07</b>
<b>7</b>	50	25 - 48	-	100	<b>735 301</b>
<b>75</b>	50	25 - 48	-	100	<b>735 401</b>
<b>8</b>	80	30 - 76	-	135	<b>735 601</b>
<b>85</b>	80	30 - 76	-	135	<b>735 501</b>

■ Further center pins for other center holes upon request.

# Center Pins FFB / FFBH

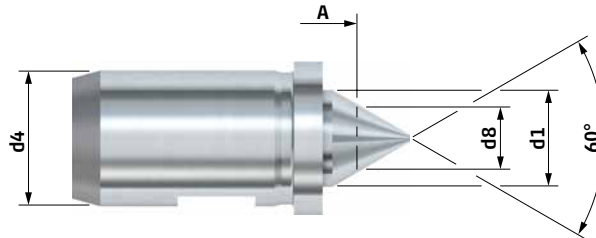
for face drivers FFB / FFBH with fixed center pin

Type FFB / FFBH · tool steel or carbide

Technical data - type FFB / FFBH · tool steel or carbide



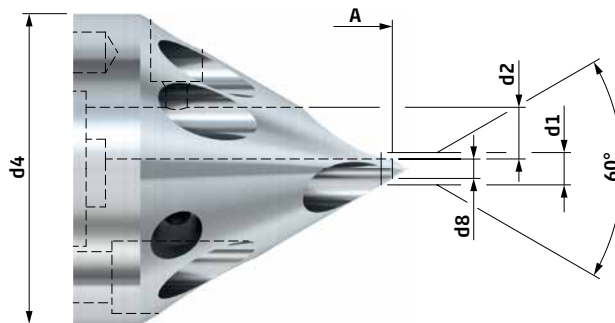
with carbide insert



A overhang dimension of face driver to centre d8 (see page 18-19)

center body type FSB / SB 01 / 0

center body type FSB / SB 01 / 0



TYPE  
TOOL STEEL

TYPE  
CARBIDE

for type FFB / FFBH	d1	d2	d4	center Ø	d8	cat. no.
01	5	6	48	1-5	3.5	<b>734 01</b>
0	3	8	48	1-3	3	<b>734 101</b>
11	7.8	-	6	2-6.5	4.25	<b>734 11</b>
1	9.8	-	8	4-8.5	6.25	<b>734 02</b>
2	10	-	14	4-9	6.5	<b>734 03</b>
3	12	-	18	6-11	8.5	<b>734 04</b>
35	10	-	14	4-9	6.5	<b>734 12</b>
4	16	-	20	10-15	12.5	<b>734 05</b>
45	16	-	28	10-15	12.5	<b>734 06</b>
5	16	-	35	10-15	12.5	<b>734 07</b>
55	16	-	35	10-15	12.5	<b>734 08</b>
6	16	-	35	10-15	12.5	<b>734 09</b>

cat. no.
<b>734 43</b>
<b>734 44</b>
<b>734 33</b>
<b>734 34</b>
<b>734 35</b>
<b>734 36</b>
<b>734 37</b>
<b>734 38</b>
<b>734 39</b>
<b>73440</b>
<b>734 41</b>
<b>734 42</b>

- Further center pins for other center holes upon request.
- Center pins of type FFB / FFBH 01 / 0 (type carbide) are just carbide coated on the 60° centering.