



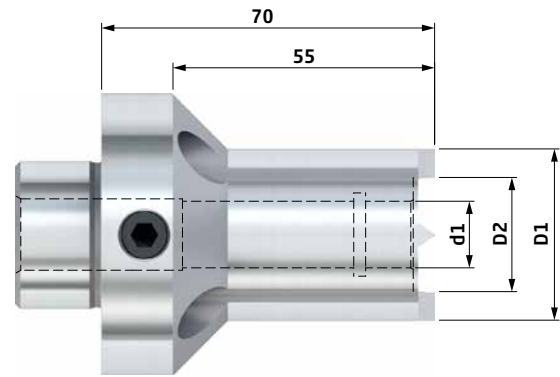
Drive Heads FDNC

changeable drive heads for basic body FDNC

Type FDNC · drive head



Technical data - type FDNC · drive head



for type FDNC	D1	D2	d1	cat. no.
11.11	11	7	6	737 01
11.14	14	9	6	737 02
11.18	18	12	6	737 03
1.22	22	14	8	737 04
1.26	26	18	8	737 05
2.30	30	20	14	737 06
2.36	36	24	14	737 07
3.39	39	29	18	737 08
3.44	44	34	18	737 09
4.49	49	39	24	737 10
4.59	59	49	24	737 11

■ Additional dimensions for drive heads upon request.